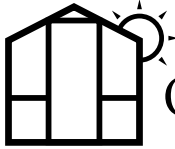


# CEDAR-BUILT GREENHOUSES



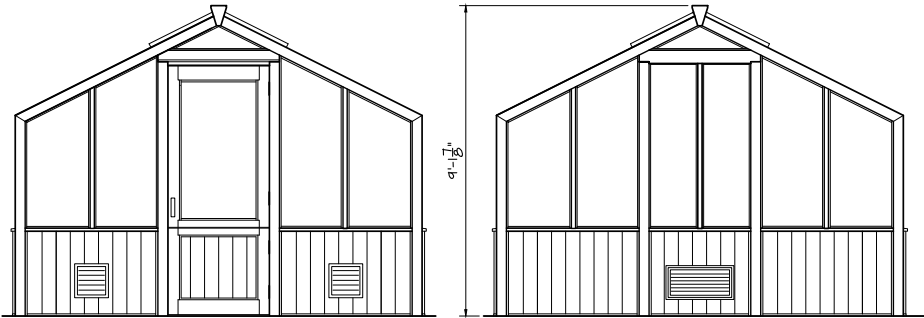
<b>Name</b> <b>Address</b> <b>City/State/Zip</b> <b>Contact</b> <small>(email/ph#)</small>	<b>REQUESTS &amp; CLARIFICATIONS</b>
--	--------------------------------------

**GREENHOUSE SIZE:**

**12 x \_\_\_\_\_**

**INCLUDED**  
Single Cedar framed glass to ground door

**OPTIONS**  
**DUTCH DOOR**  
Opening window & 30" knee wall



**FRONT ELEVATION**                      **REAR ELEVATION**

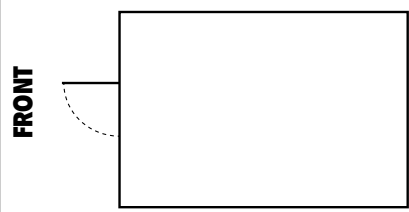
Shown above: Single Dutch Door                      Included: Cedar basewall vent

**INCLUDED**  
Fixed windows

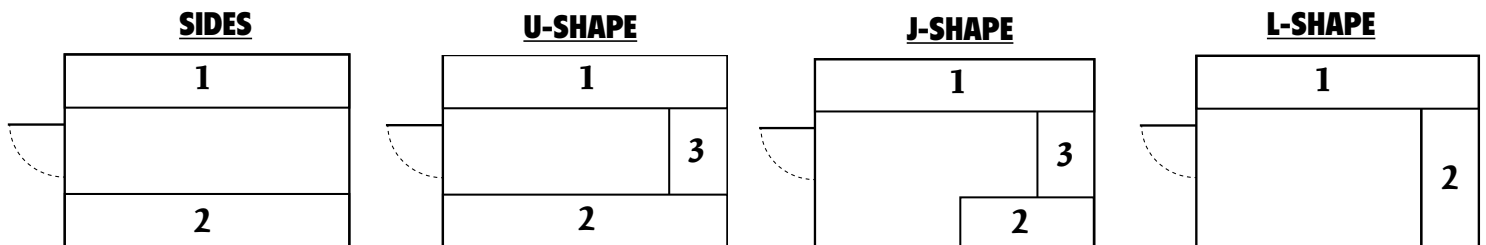
**OPTIONS**  
**DUTCH WINDOW**  
Single 36" wide opening  
Double - Two @ 18" wide

**BACK DOOR**  
Cedar framed glass to ground  
Dutch upgrade

**DORMER**  
Butts up to existing structure:  
basewall is eliminated

<p style="text-align: center;"><b>POPULAR OPTIONS</b></p> <table style="width: 100%;"> <tr> <td style="width: 50%; padding: 5px;"> <p><b>PORTICO</b> Porch extension with decorative cedar arches</p> <p><b>AUTOMATIC ROOF VENT OPENER</b> Opens roof vents with no power required</p> <p><b>INSULATION</b> R12 high density insulation pre-installed in basewalls</p> </td> <td style="width: 50%; padding: 5px;"> <p><b>PLEXIGLASS</b> Clear acrylic glass-like side windows</p> <p><b>INTERIOR SIDING</b> Cedar siding to clad interior basewalls</p> <p><b>SHED KIT</b> Combination with cedar walls. Specify front/rear location &amp; length:</p> </td> </tr> </table>	<p><b>PORTICO</b> Porch extension with decorative cedar arches</p> <p><b>AUTOMATIC ROOF VENT OPENER</b> Opens roof vents with no power required</p> <p><b>INSULATION</b> R12 high density insulation pre-installed in basewalls</p>	<p><b>PLEXIGLASS</b> Clear acrylic glass-like side windows</p> <p><b>INTERIOR SIDING</b> Cedar siding to clad interior basewalls</p> <p><b>SHED KIT</b> Combination with cedar walls. Specify front/rear location &amp; length:</p>	<p style="text-align: center;"><b>BASEWALL HEIGHTS</b></p> <div style="text-align: center;">  <p style="writing-mode: vertical-rl; transform: rotate(180deg);">FRONT</p> </div> <p style="text-align: center;">Choose basewall height above: 30" high is standard</p>
<p><b>PORTICO</b> Porch extension with decorative cedar arches</p> <p><b>AUTOMATIC ROOF VENT OPENER</b> Opens roof vents with no power required</p> <p><b>INSULATION</b> R12 high density insulation pre-installed in basewalls</p>	<p><b>PLEXIGLASS</b> Clear acrylic glass-like side windows</p> <p><b>INTERIOR SIDING</b> Cedar siding to clad interior basewalls</p> <p><b>SHED KIT</b> Combination with cedar walls. Specify front/rear location &amp; length:</p>		

**SHELF & SOIL PLANTER CONFIGURATIONS**



**EXAMPLES**

**CUSTOM PLAN**  
**(PLEASE FILL IN)**

**FILL IN YOUR BENCHING IDEAS**

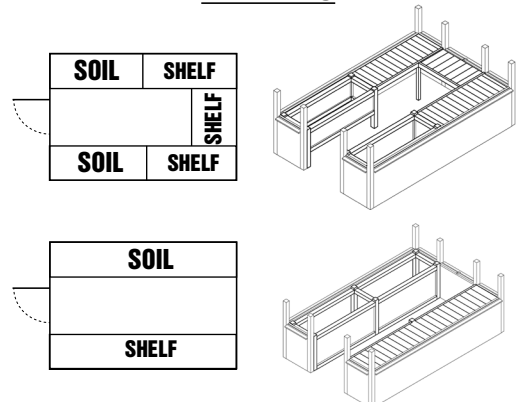
**1:** \_\_\_\_\_

**2:** \_\_\_\_\_

**3:** \_\_\_\_\_

**SHELF:** Western Red Cedar single shelf  
**SOIL:** Cedar planters: 12", 18", or 30" deep

Benching will align with basewall heights



[CLICK THIS LINK FOR OTHER ORDER FORMS](#)