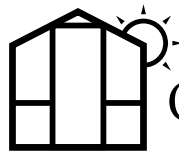


# CEDAR-BUILT GREENHOUSES



<b>Name</b> <b>Address</b> <b>City/State/Zip</b> <b>Contact</b> <small>(email/ph#)</small>	<b>REQUESTS &amp; CLARIFICATIONS</b>
--	--------------------------------------

**GREENHOUSE SIZE:**

**12 x \_\_\_\_\_**

**DOUBLE DOORS**  
Cedar framed glass to ground double-doors

**OPTIONS**

**DUTCH DOORS**  
Two doors with opening window & 30" knee wall

**FRONT ELEVATION**                      **REAR ELEVATION**

Shown above: Double Dutch Doors                      Included: Cedar basewall vent

**INCLUDED**  
Fixed windows

**OPTIONS**

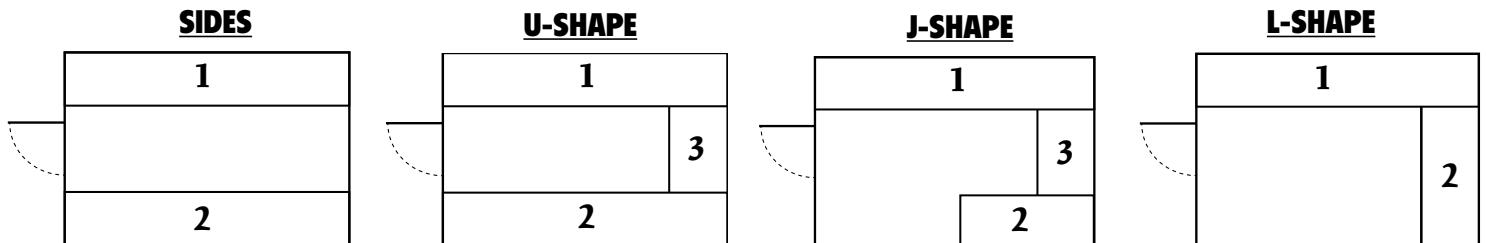
**DUTCH WINDOWS**  
Double 30" windows for 60" wide opening

**BACK DOORS**  
Cedar framed glass to ground  
Double Dutch upgrade

**DORMER**  
Butts up to existing structure: basewall is eliminated

<p style="text-align: center;"><b>POPULAR OPTIONS</b></p> <table style="width: 100%;"> <tr> <td style="width: 50%; padding: 5px;"> <p><b>PORTICO</b> Porch extension with decorative cedar arches</p> <p><b>AUTOMATIC ROOF VENT OPENER</b> Opens roof vents with no power required</p> <p><b>INSULATION</b> R12 high density insulation pre-installed in basewalls</p> </td> <td style="width: 50%; padding: 5px;"> <p><b>PLEXIGLASS</b> Clear acrylic glass-like side windows</p> <p><b>INTERIOR SIDING</b> Cedar siding to clad interior basewalls</p> <p><b>SHED KIT</b> Combination with cedar walls. Specify front/rear location &amp; length:</p> </td> </tr> </table>	<p><b>PORTICO</b> Porch extension with decorative cedar arches</p> <p><b>AUTOMATIC ROOF VENT OPENER</b> Opens roof vents with no power required</p> <p><b>INSULATION</b> R12 high density insulation pre-installed in basewalls</p>	<p><b>PLEXIGLASS</b> Clear acrylic glass-like side windows</p> <p><b>INTERIOR SIDING</b> Cedar siding to clad interior basewalls</p> <p><b>SHED KIT</b> Combination with cedar walls. Specify front/rear location &amp; length:</p>	<p style="text-align: center;"><b>BASEWALL HEIGHTS</b></p> <div style="text-align: center;"> </div> <p style="text-align: center;">Choose basewall height above: 30" high is standard</p>
<p><b>PORTICO</b> Porch extension with decorative cedar arches</p> <p><b>AUTOMATIC ROOF VENT OPENER</b> Opens roof vents with no power required</p> <p><b>INSULATION</b> R12 high density insulation pre-installed in basewalls</p>	<p><b>PLEXIGLASS</b> Clear acrylic glass-like side windows</p> <p><b>INTERIOR SIDING</b> Cedar siding to clad interior basewalls</p> <p><b>SHED KIT</b> Combination with cedar walls. Specify front/rear location &amp; length:</p>		

**SHELF & SOIL PLANTER CONFIGURATIONS**



**CUSTOM PLAN**  
(PLEASE FILL IN)

**FILL IN YOUR BENCHING IDEAS**

**1:** \_\_\_\_\_

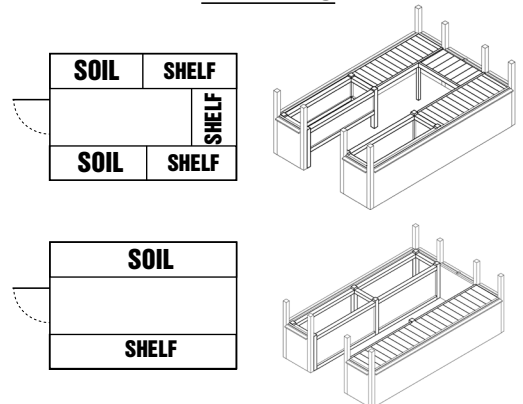
**2:** \_\_\_\_\_

**3:** \_\_\_\_\_

**SHELF:** Western Red Cedar single shelf  
**SOIL:** Cedar planters: 12", 18", or 30" deep

Benching will align with basewall heights

**EXAMPLES**



[CLICK THIS LINK FOR OTHER ORDER FORMS](#)