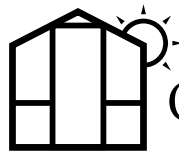


CEDAR-BUILT GREENHOUSES

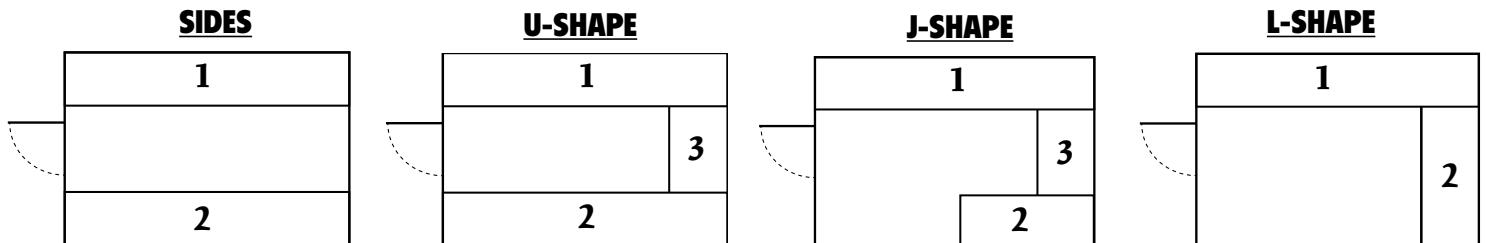


Name Address City/State/Zip Contact <small>(email/ph#)</small>	REQUESTS & CLARIFICATIONS
--	--------------------------------------

GREENHOUSE SIZE: 8 x _____	<div style="display: flex; justify-content: space-around;"> <div style="text-align: center;"> <p>FRONT</p> <p>Shown above: Dutch Door</p> </div> <div style="text-align: center;"> <p>REAR</p> <p>Included: Cedar base wall vent</p> </div> </div>	<p>INCLUDED Fixed windows</p> <p>OPTIONS</p> <p>DUTCH WINDOW Single 36" wide opening Double - Two @ 18" Wide</p> <p>BACK DOOR Cedar framed glass to ground Dutch upgrade</p> <p>DORMER Butts up to existing structure: base wall is eliminated</p>
---	--	---

<p style="text-align: center;">POPULAR OPTIONS</p> <table style="width: 100%;"> <tr> <td style="width: 50%; padding: 5px;"> <p>PORTICO Porch extension with decorative cedar arches</p> <p>AUTOMATIC ROOF VENT OPENER Opens roof vents with no power required</p> <p>INSULATION R12 high density insulation pre-installed in base walls</p> </td> <td style="width: 50%; padding: 5px;"> <p>PLEXIGLASS Clear acrylic glass-like side windows</p> <p>INTERIOR SIDING Cedar siding to clad interior base walls</p> <p>SHED KIT Combination with cedar walls. Specify front/rear location & length:</p> </td> </tr> </table>	<p>PORTICO Porch extension with decorative cedar arches</p> <p>AUTOMATIC ROOF VENT OPENER Opens roof vents with no power required</p> <p>INSULATION R12 high density insulation pre-installed in base walls</p>	<p>PLEXIGLASS Clear acrylic glass-like side windows</p> <p>INTERIOR SIDING Cedar siding to clad interior base walls</p> <p>SHED KIT Combination with cedar walls. Specify front/rear location & length:</p>	<p style="text-align: center;">BASEWALL HEIGHTS</p> <div style="text-align: center;"> </div> <p style="text-align: center;">Choose base wall height above: 30" high is standard</p>
<p>PORTICO Porch extension with decorative cedar arches</p> <p>AUTOMATIC ROOF VENT OPENER Opens roof vents with no power required</p> <p>INSULATION R12 high density insulation pre-installed in base walls</p>	<p>PLEXIGLASS Clear acrylic glass-like side windows</p> <p>INTERIOR SIDING Cedar siding to clad interior base walls</p> <p>SHED KIT Combination with cedar walls. Specify front/rear location & length:</p>		

SHELF & SOIL PLANTER CONFIGURATIONS



CUSTOM PLAN (PLEASE FILL IN)

FILL IN YOUR BENCHING IDEAS

1: _____

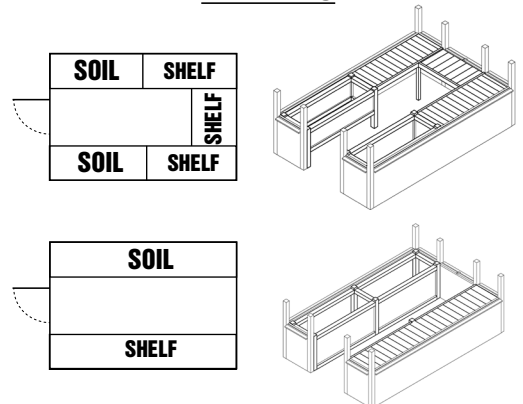
2: _____

3: _____

SHELF: Western Red Cedar single shelf
SOIL: Cedar planters: 12", 18", or 30" deep

Benching will align with base wall heights

EXAMPLES



[CLICK THIS LINK FOR OTHER ORDER FORMS](#)